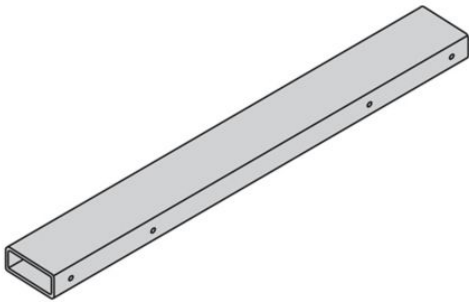


# Eaton SB592423X2NB

Catalog Number: SB592423X2NB

Eaton B-Line series open frame racks, Steel, (4) #12-24 Bolts and nuts hardware included, Bumper rail extension - network bay

## General specifications



Product Name	Catalog Number
Eaton B-Line series open frame racks	SB592423X2NB
UPC	Product Length/Depth
799038258926	2 in
Product Height	Product Width
1 in	23.88 in
Product Weight	Certifications
5.2 lb	Not Applicable

## Product specifications

### Color

Network Blue

### Model

Bumper rail extension - network bay

### Material

Steel

## Resources

### Brochures

[RCM and RCM+ brochure](#)

### Specifications and datasheets

[Eaton Specification Sheet - SB592423X2NB](#)



Eaton Corporation plc  
Eaton House  
30 Pembroke Road  
Dublin 4, Ireland  
Eaton.com  
© 2023 Eaton. All Rights Reserved.

Eaton is a registered trademark.

All other trademarks are property of their respective owners.



[Eaton.com/socialmedia](https://www.eaton.com/socialmedia)